

W410

Tilt & Turn System

for high level of flexibility.



System Identity

The W410 system is a lightweight, versatile, non-insulated system whose main characteristics are its flexibility and the easy adaptation to a wide variety of applications.

Its harmonious design from curved lines that lead to straight and flat surfaces combines traditional with modern look, offering many functional values.

In cooperation with the SL205 system, "school" type windows (sliding window with opening skylight) can be created.

Thanks to the solutions offered by the W410, it proves to be an extremely efficient system both for its durability and functionality.

Features & Benefits

- Compatible with the SL205 system.
- Ideal for large-scale requirements since it offers easy and fast installation.
- Possibility for corner constructions, windows and opening - sliding frames.
- Large variety of shutters for all possible typologies.

Configurations

Casement windows

1Leaf - 2Leaf - 3Leaf - 4Leaf

Casement-awning windows

1Leaf - 2Leaf

Shutters: 1Leaf - 2Leaf - 3Leaf - 4Leaf

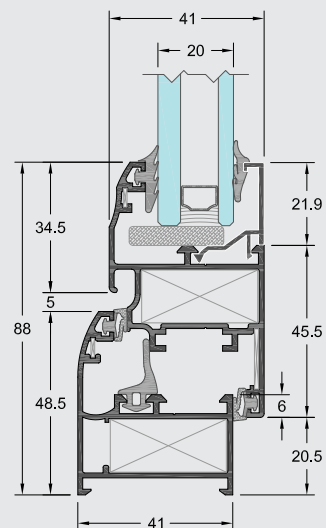
Doors: 1Leaf - 2Leaf

Angular structure: 30°-190° with Ø50 & 7°-205° with Ø60

Fixed-picture windows

Combinations

2Leaf sliding SL205 with opening W410



HARDWARE

CAMERA	CE
--------	----

SYSTEM PROFILE DIMENSIONS

MIN FRAME DEPTH mm	39
MIN FACE HEIGHT mm	88
GLASS THICKNESS mm	4-20

CONSTRUCTION DIMENSIONS

SASH WIDTH mm	365-1100
SASH HEIGHT mm	360-2200
MAX. SASH DIMENSIONS mm (WxH)	1100x2000 / 900x2200
MAX. SASH WEIGHT mm Kgr	100

CERTIFICATES/PERFORMANCES

AIR PERMEABILITY EN 12207	Class 4
WATER TIGHTNESS EN 12208	Class 3A
RESISTANCE TO WIND LOAD EN 12210	Class C3
BURGLAR RESISTANCE	N/A
SOUND REDUCTION Rw EN 140-3	N/A
THERMAL INSULATION Uf ISO 10077-2	N/A



FLAT CURVED