

SL230

Sliding System

for endless possibilities.



System Identity

SL230 is a sliding system that combines safety, functionality, aesthetics, durability and offers the ability to use less profiles with more combinations, make it highly affordable and competitive. It is designed to meet versatile construction while offering ease of construction, installation and maintenance. The weight of the sliding doors is evenly allocated on symmetrical guides, avoiding distorting, while the smooth, quiet rolling sliding movement is ensured due to the inserted stainless steel rail.

The flat, modern lines are ideal for modern residential homes and commercial premises making possible constructions of large openings to offer greater views and natural light.

Distinguishing features, classify the SL230 as a flexible, affordable system with the best quality/price ratio.

Features & Benefits

- Robust constructions combined with excellent aesthetic results.
- Profile in a straight or curved line.
- Multiple application options.
- Multiple locks.
- Heavyweight hook profile for greater resistance to wind load.
- Specially designed rail of 35mm height using pioneer corners for maximum strength of construction.
- Evenly distributed weight from sash to rail.

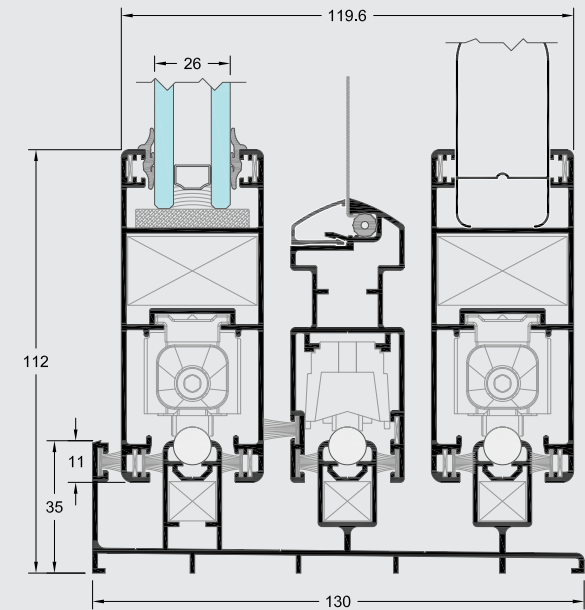
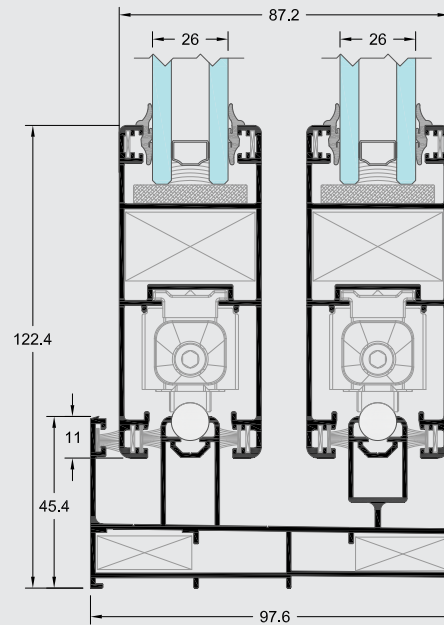
Configurations

Sliding

2Leaf sliding, 3Leaf sliding, 4Leaf double sliding, 6Leaf double sliding, 2Leaf sliding with insect screen

Combinations

2Leaf sliding with insect screen SL230 with opening W540



HARDWARE

| | |
|--------------|---|
| SLIDING | • |
| LIFT & SLIDE | |

SYSTEM PROFILE DIMENSIONS

| | |
|-----------------------------|-------|
| FRAME LIFT & SLIDE WIDTH mm | 95 |
| MIN FRAME HEIGHT mm | 35 |
| MIN FACE HEIGHT mm | 112 |
| GLASS THICKNESS mm | 18-21 |

CONSTRUCTION DIMENSIONS

| | |
|-------------------------------|-----------------------|
| SASH WIDTH mm | 330-2000 |
| SASH HEIGHT mm | 520-2700 |
| MAX. SASH DIMENSIONS mm (WxH) | 2000x2400 / 1600x2700 |
| MAX. SASH WEIGHT mm Kgr | 200 |

CERTIFICATES/PERFORMANCES

| | |
|-----------------------------------|-------------|
| AIR PERMEABILITY EN 12207 | Class 2 |
| WATER TIGHTNESS EN 12208 | Class 1A/4B |
| RESISTANCE TO WIND LOAD EN 12210 | Class C4 |
| BURGLAR RESISTANCE | N/A |
| SOUND REDUCTION Rw EN 140-3 | N/A |
| THERMAL INSULATION Uf ISO 10077-2 | N/A |



FLAT CURVED