

# SL205

## Sliding System

for low-cost solutions  
without compromising  
quality.



## System Identity

The SL205 is a sliding lightweight system, distinguished by durability, functionality, components' compatibility and ease of construction. The exterior and interior design of the system, apart from aesthetics and functionality, offer an excellent water drainage, allowing the water to flow easily and fast to its way out. The robustness of the system is achieved by using an inox removable guide that allows extra durability and optimal sliding of the leaf while multiple point locks provide maximum safety.

A wide range of main and auxiliary profiles provide technical and aesthetic flexibility even in the most demanding constructions. The main advantage of the SL205, like any integrated system, is the fact that it works perfectly well along with the opening system W410, offering numerous personalized options.

## Features & Benefits

- Robust and secure structures for small and medium openings
- Variety of profiles in flat line for excellent aesthetic result.
- Multiple application capabilities.
- Possibility of multiple locks.
- Possibility to use two-dimensional roller-guides (22 mm & 27 mm).
- The chambers are capable to accept corners of all types ensuring a fast and functional result.
- The greatest accessories, in terms of quality and durability, are applied to the system.
- Suitable for school buildings (2-leaf sliding with skylight).

## Configurations

### Sliding

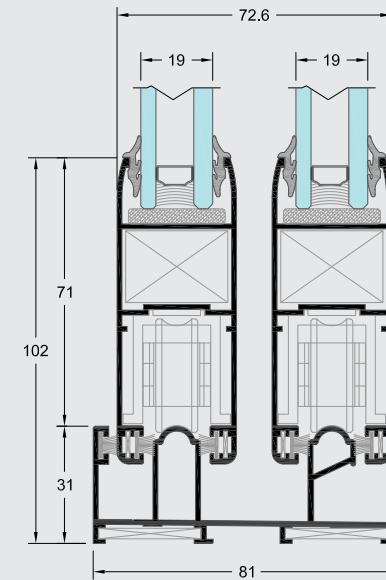
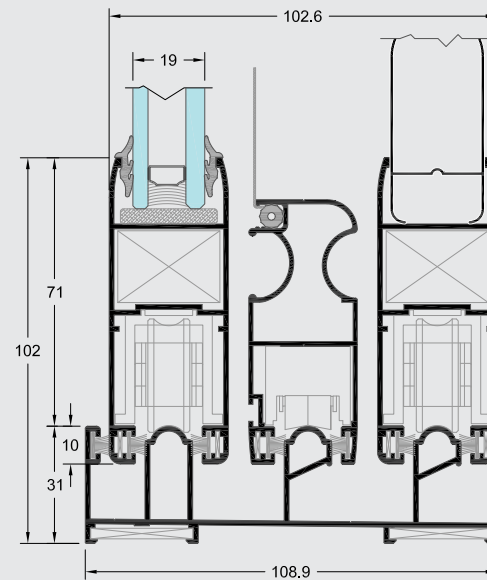
2Leaf sliding, 3Leaf sliding, 4Leaf double sliding, 6Leaf double sliding, 2Leaf sliding with insect screen

### Combinations

2Leaf sliding SL205 with opening W410



FLAT CURVED



### HARDWARE

SLIDING	•
LIFT & SLIDE	

### SYSTEM PROFILE DIMENSIONS

FRAME LIFT & SLIDE WIDTH mm	59.6
MIN FRAME HEIGHT mm	31
MIN FACE HEIGHT mm	81
GLASS THICKNESS mm	18-21

### CONSTRUCTION DIMENSIONS

SASH WIDTH mm	280-1800
SASH HEIGHT mm	470-2400
MAX. SASH DIMENSIONS mm (WxH)	1800x2200 / 1600x2400
MAXIMUM WEIGHT Kgr	160